

Lit

Umberto Asnago
2019

Large 1912-23

Suspensions with metal structure and shade in borosilicate glass. Outer shade in the colors: blue, violet, orange and gold. Inner shade in striped sandblasted glass. Ceiling canopy in white or titanium varnished metal.



Mounting	Suspension
Environment	Indoor
Materials	borosilicate glass
Input voltage	Input 230V
Source	1x max 10W LED - E27 1x max 60W - E27 Halo
Lumens	NA
Dimming	NA

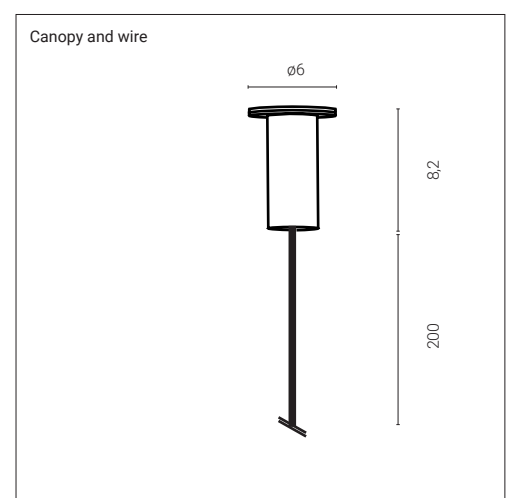
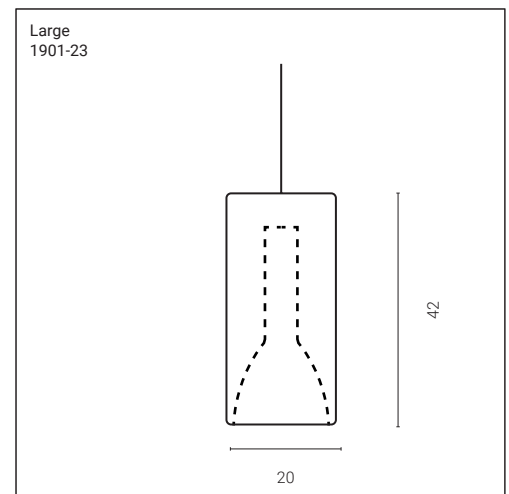
Glass finishes



Canopy finishes



Certifications



Lit

Umberto Asnago
2019

Medium 1912-22

Suspensions with metal structure and shade in borosilicate glass. Outer shade in the colors: blue, violet, orange and gold. Inner shade in striped sandblasted glass. Ceiling canopy in white or titanium varnished metal.



Mounting	Suspension
Environment	Indoor
Materials	borosilicate glass
Input voltage	Input 230V
Light source	1x max 10W LED - E27 1x max 60W - E27 Halo
Delivered Lumens	NA
Dimming	NA

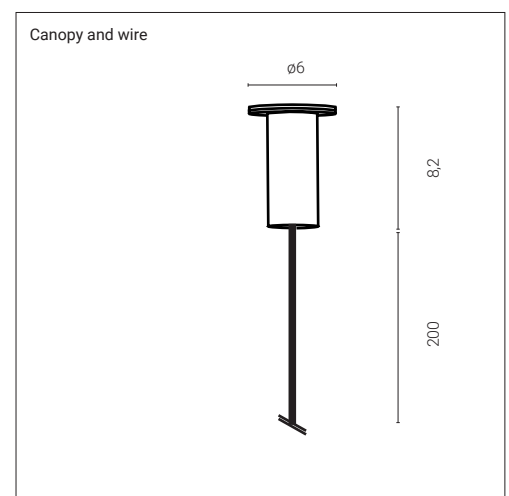
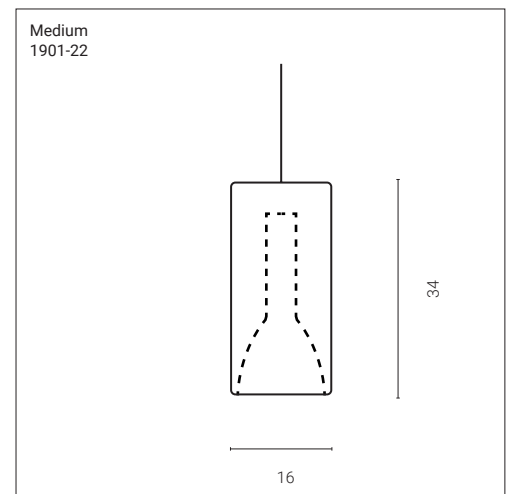
Glass finishes

 Blue	 Gold
 Violet	 Orange

Canopy finishes

 White
 Titanium

Certifications



Lit

Umberto Asnago
2019

Small 1912-21

Suspensions with metal structure and shade in borosilicate glass. Outer shade in the colors: blue, violet, orange and gold. Inner shade in striped sandblasted glass. Ceiling canopy in white or titanium varnished metal.



Mounting	Suspension
Environment	Indoor
Materials	borosilicate glass
Input voltage	Input 230V
Light source	1x max 10W LED - E27 1x max 60W - E27 Halo
Delivered Lumens	NA
Dimming	NA

Glass finishes

	Blue		Gold
	Violet		Orange

Canopy finishes

	White
	Titanium

Certifications

